

()

_____ () _____

()

441500

1

()

13972075801

.....	1
.....	7
.....	17
.....	21
.....	25
.....	30
.....	33

1 ()

2 ()

3 ()

4 ()

1 (2021)12 ()

(2021 3

31)

2 ()

3

4 () (91420624788177230R001P)

5 ()

([2020]82)

6 ()

7

8

9

10 (() [2022] 122 () [2021] 314)
11
12

1

() 3.5km
 4000 ()
 10751.82m² 2 240 144 t/a
 120 m³/a
 () 2020 12
 () 2021 3
 31 ((2021)12) ()

2

()
 144 t/a 120 m³/a
 (682)
 (2017)4
 ()
 () 2022 2

2022 3 12 ~13 2022 7 23 -28

()

	()
	()
	1

1 682

2017 10

2 < > (

[2017]4) 2017 11

3 (

[2015]113) 2015

4 () (

[2020]688)

5 ()

() 2021 3

6 ()

((2021)12) 2021

3 31

(1)

+

()

(GB/8978-1996) 1-1

1-1

	(mg/L pH)
pH	6~9
COD	100
SS	70
BOD ₅	30
	15

(2)

(GB4915-2013)

2 3 1-2

1-2 (GB4915-2013)

	(mg/m ³)

		10	0.5
(3)			
		(GB12348-2008)	3
1-3			
	1-3		
	Leq[dB(A)]	65	55
			(GB12348-2008) 3
	0.509t/a	[2020]82	
()			
	0.509t/a		2019
	(16.63t	14.715t	1.915t)

1

(1)

0.32%

8.81%

(GB4915-2013) 2

(GB4915-2013) 3

8.81%

100%

500m

420m

+

()

(3)

(GB12348-2008)3

(4)

2

(1)

(GB4915-2013) 2

(GB4915-2013) 3

(2)

+

()

(GB8978-1996)

(3)

(GB12348

1

1 ()

()

()

500m

420m

1050m

2-1

2-1

2

2-1

			95 t/a	95 t/a
1			34 t/a	34 t/a
			15 t/a	15 t/a
2		C10	144 t/a	144 t/a

		C20	24 m ³ /a	24 m ³ /a
		C30	48 m ³ /a	48 m ³ /a
		C40	24 m ³ /a	24 m ³ /a
		C50	12 m ³ /a	12 m ³ /a
			120 m ³ /a	120 m ³ /a

3

144 t/a 2 240

2-2

2-2

		(/)	(/)	
1		1	1	
2		1	1	
3		3	3	
4		1	1	
5		1	1	
6		1	1	
7		1	1	
8		1	1	
9		1	1	
1	()	1	1	
2	()	1	1	
3	()	1	1	
4		2	2	
5		12	12	
1		31	31	
2		1	1	
1		1	1	
2		1	1	
3		1	1	
4		1	1	
5		1	1	
6		1	1	
7		1	1	
8		1	1	
9		1	1	
10		1	1	
11		1	1	
12		1	1	

2-4

		1056.26m ²	1
		1528.30m ²	2
		150.94m ²	
		5.1m	
		35m ²	
		70m ²	
		()	
		()	
		()	
		()	
		1# () 1 10kV 1 10/0.4kV 2500kVA	
		356.29m ² +	
		99.9%	1
		15m	
		99.9%	

		99.9%	
		99.9%	15m
		99.9%	
		99.9%	
		()	

6

18

300 /

4800h

8h

250 /

4000h

8h

7

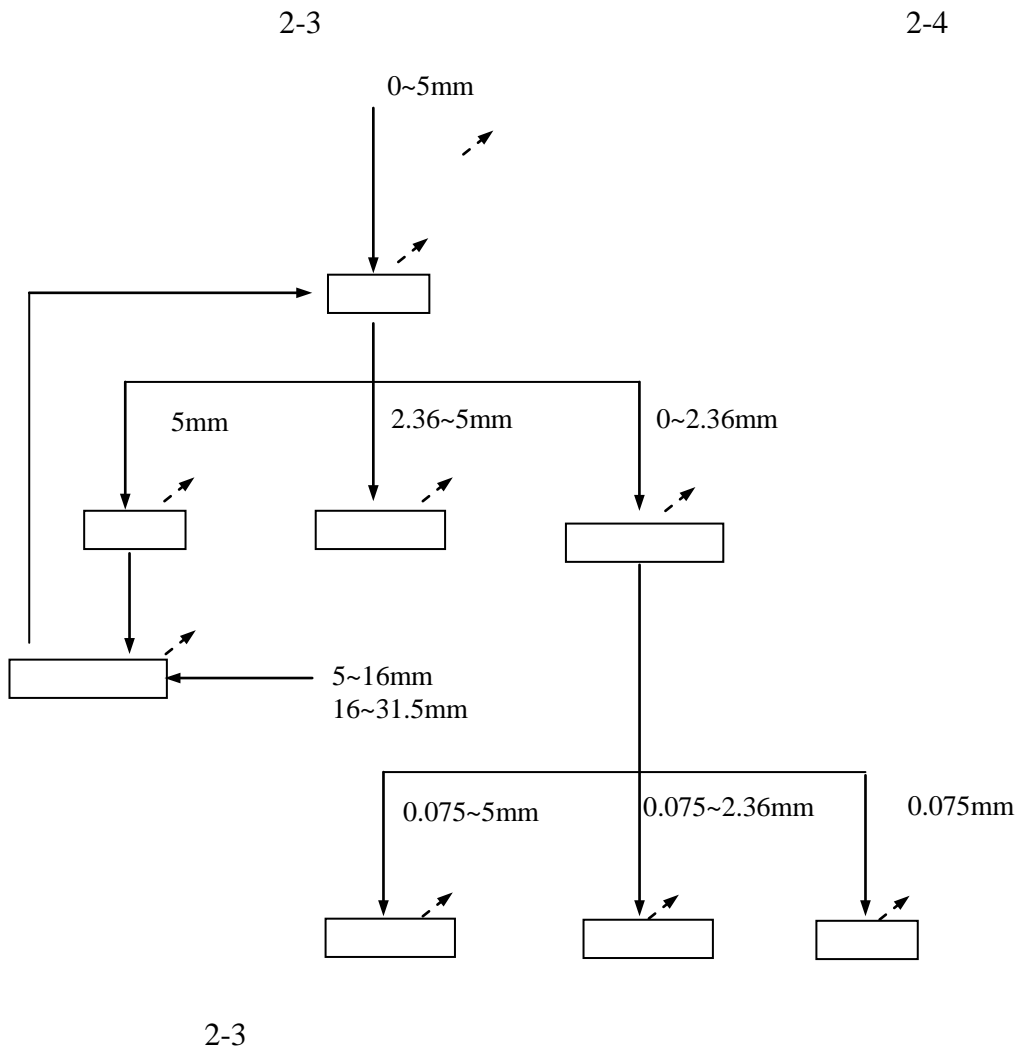
2-5

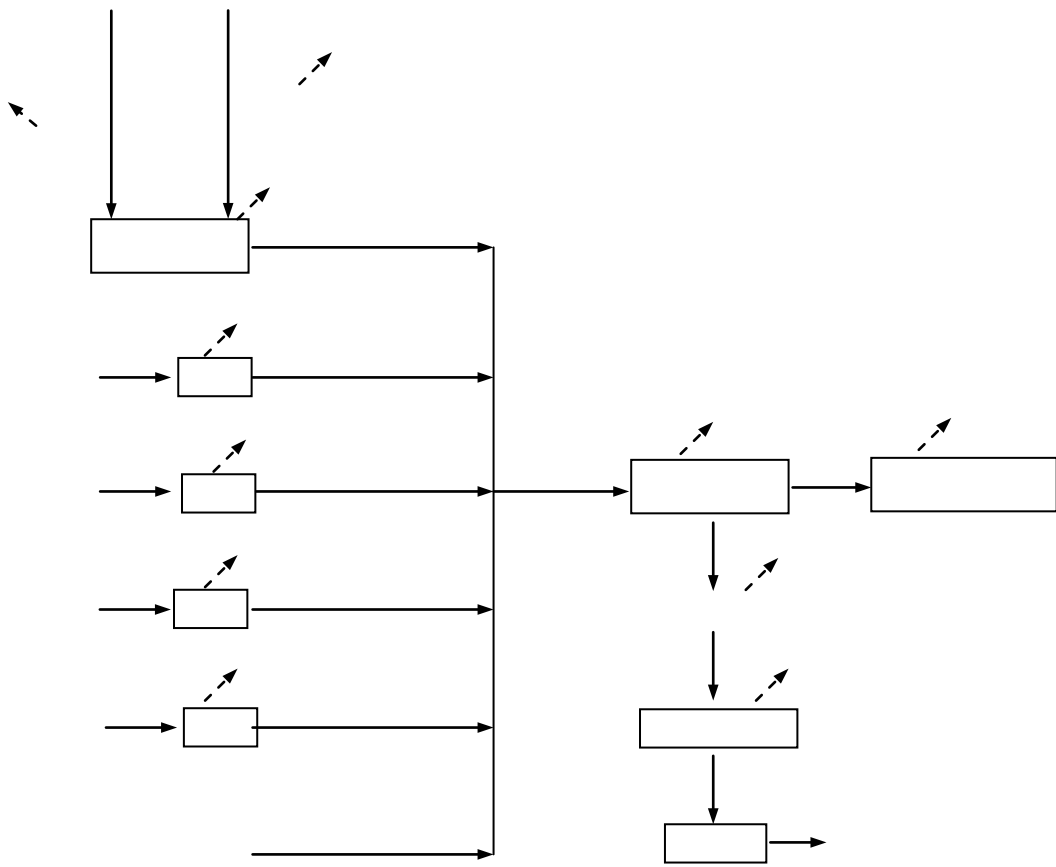
2-5

		t/a	
1			
1.1	(0~5mm)	800000	800000
1.2	(5-16mm)	360000	360000
1.3	(16-31.5mm)	280000	280000

2			
2.1		462754	462754
2.2		89836	89836
2.3		89836	89836
2.4		14374	14374
2.5		763137	763137
2.6		1243333	1243333
1		614.71 kWh/a	614.71 kWh/a
2		258101m ³ /a	258101m ³ /a
3		221.5 m ³ /a	221.5 m ³ /a

8





2-4

(1)

(2)

COD SS

(3)

75~95dB(A)

(4)

4067.147t/a

2-6

2-6

	1	1	
()	10751.82m ²	()	10751.82m ²
	144 t/a 120 m ³ /a	144 t/a 120 m ³ /a	
	1 1056.26m ² 2 1528.30m ²	1 1056.26m ² 2 1528.30m ²	
	27	27	
	99.9% 15m	1	3 1
	99.9%		
	99.9%		

99.9%
15m

15m

"D127.56 31511

2-7

(2015)52

(2020)688

1

(1)

4320m³/h

3

1

15m

0.3m

1

1

15m

0.3m



(2)



1



2



1



2

(2)

2

12

6

4

2

1

2

2



2

+

()

3-1

3-1

1			1	
2			1	YK1260
3			1	YE2-160-6-7.5KW

4			1		
5			1	4KW	
6			1	3KW	
7			1	3KW	
8			2		
9			1	11KW	
10			1		1635L 100m ²
11			1	4KW	
12			1	1.1KW	
13			13		



3

75~95dB(A)

4

5

()

()

50m

500m

420m

6

(1)

()

()

(1)

(2)

(3)

()

850

12#~14#

1

(1)

(2)

1 15m

3

2

1 15m

3

2

1 15m

3

2

(3)

1

3

3

2

(4)

1m

4

2

4-1

4-1

				()	(/)	
			/	2	/	
		/	/	2	/	
	15m		1	2	3	
	1		1	2	3	

		GB/T15432-1995	0.001mg/m ³	ME204E/02JC-011
		GB 12348-2008		AWA6228+XC-056 AWA6221B XC-008

() (HJ/T373-007)

(HJ/T91-2002)

(HJ/T55-2000)

(HJ/T397-2007)

(GB12348-2008)

1

2

3

0.5dB

4

5

4-3

4-3

2022/3/12		94.2dB	94.3dB	0.2dB	0.5dB	
		94.3dB	94.0dB	0.3dB	0.5dB	
2022/3/13		94.0dB	94.1dB	0.1dB	0.5dB	
		93.8dB	93.9dB	0.1dB	0.5dB	

2022 3 12 ~13 ()

2022 7 27 ~28

1

5-1

			%
	1	1	100%
	1	1	100%
	3	3	100%
	1	1	100%
	1	1	100%
	1	1	100%
	1	1	100%
	1	1	100%
	1	1	100%
	1	1	100%
	1	1	100%
()	1	1	100%
()	1	1	100%
()	1	1	100%
	2	2	100%
	12	12	100%

2

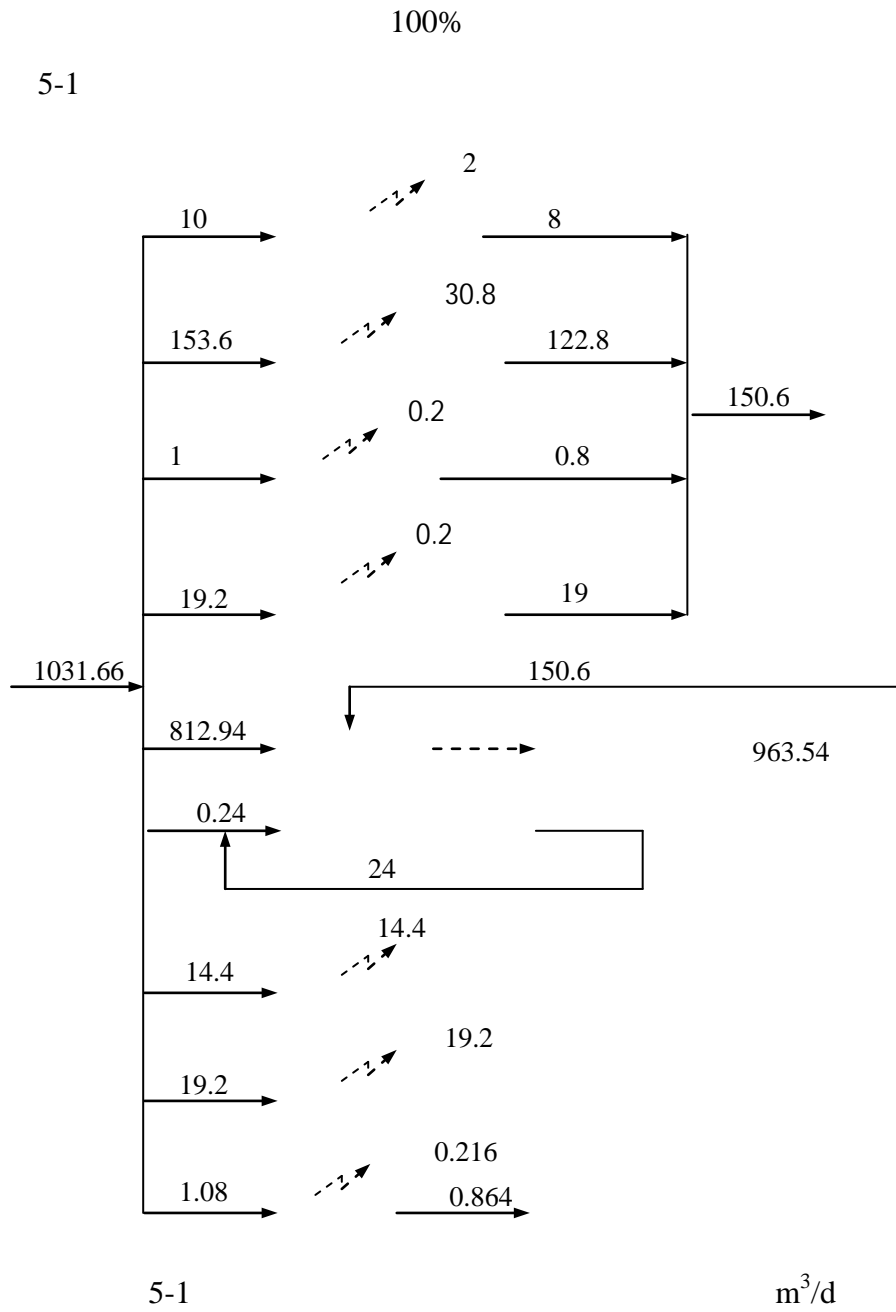
5-2

(1)

	(t/d)			(%)
		7 27	7 28	

		4800	4800	4800	100
		4800	4800	4800	100

3



100%

100%

100%

5-3			
			(m/s)
3	12		2.5
			2.6
3	13		2.6
			2.8

5-4~5-6

5-4

				(mg/m ³)	(kg/h)	(m)
2022.7.27			1	3	0.017	15
			2	4	0.022	
			3	3	0.017	
	1		1	4	0.025	
			2	4	0.025	
			3	4	0.024	
	2		1	4	0.024	
			2	4	0.024	
			3	4	0.024	
2022.7.28			1	4	0.024	15
			2	4	0.024	
			3	4	0.024	
	1		1	4	0.025	
			2	4	0.025	
			3	4	0.017	
	2		1	3	0.017	
			2	3	0.017	
			3	3	0.017	

5-5

		1	2	3
2022.3.12	A1 E111 49'30.022" N31 44'59.131"	0.350	0.384	0.367
	A2 E111 49'23.194" N31 45'17.053"	0.501	0.534	0.551
	A3 E111 49'19.284" N31 45'18.984"	0.518	0.534	0.567
	A4 E111 49'15.383" N31 45'13.345"	0.551	0.501	0.517
2022.3.13	A1	0.317	0.350	0.334

E111 49'30.022" N31 44'59.131"				
A2 E111 49'23.194" N31 45'17.053"		0.567	0.584	0.551
A3 E111 49'19.284" N31 45'18.984"		0.517	0.534	0.551
A4 E111 49'15.383" N31 45'13.345"		0.584	0.617	0.601

(16.63t 14.715t 1.915t)

5-7

5-7

		(kg/h)	(h)	(t/a)	(t/a)	
		0.024	4800	0.1152	/	/
	1	0.025	4000	0.1	/	/
	2	0.024		0.006	/	/
		/	/	0.2212	0.509	

0.2212t/a

2021 3 31 ((2021)12)
2021 4 2021 9
2022 2

()

6-1

| ()

	GB18597-2001 (2013)	
5	0.509t/a	
6	50	500m 420m
0.2212t/a		
()		
15m	1 15m	1 15m

()

6-2

			()	()
			100	95
			200	200
			150	150
			150	120
		+	200	200
		()	5	5
		150m ³	2	5
			3	0
			2	2
			2	2
			100	80
			914	859
		4000	859	21.48%

1

) 4000 10751.82m² 1 (

144 t/a 2 240

2

4320m³/h 1 15m 3 0.3m 1 15m 0.3m 1 15m 3~4mg/m³ (GB4915-2013) 2

0.317~0.584mg/m³

(GB4915-2013) 3

3

+ ()

4

53 60dB
(GB12348-2008)3

43 49dB

5

6

0.2212t/a

7

()

()

50m

1

2

()

():

():

									()				
								441000			13807273089		
	C3147							2017.11			2018.1		
	10000	(5000)	2000			10000	(5000)	2000	
		(1000	1000)				(1000	1000)	
()	22000	()	168	%	0.76						/		
()	17800	()	254.98	%	1.43						/		
			(2017)173				2017.10.26						
	/		/				/				/		
	/		/				/				/		
		/					/					8760h/a	
	(1)	(2)	(3)	(4)	(5)	(6)	(7)	“ ”	(8)	(9)	(10)	(11)	(12)

(

)

1

(+)

(-)

2 $(12) = (6) \cdot (8) \cdot (11)$ $(9) = (4) \cdot (5) \cdot (8) \cdot (11) + (1)$ 3